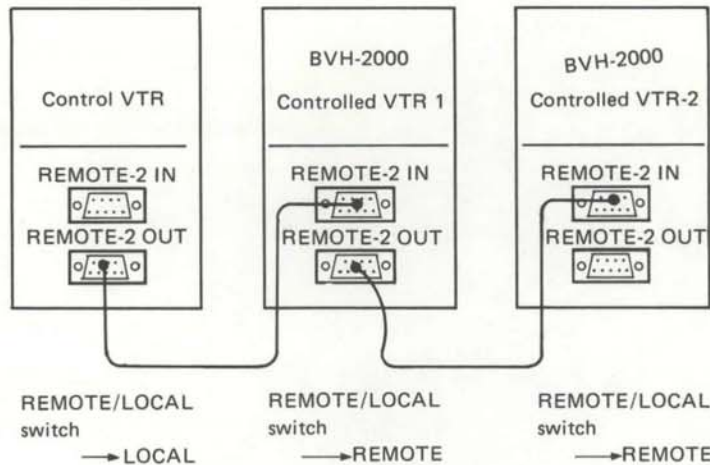


1-13. PARALLEL OPERATION

Connect as shown below to operate two BVH-2000s (or more) simultaneously in the same mode. Operating the control VTR allows all the other VTRs to operate in the same mode as the master.



Note: All PARA RUN switches on the SY-79 board should be turned on.

1-14. ALARM

If one of the VTRs malfunctions, the respective alarm lamp lights or flashes and a buzzer sounds. These are illustrated in the table below.

○ : on ◐ : Flashing - : off

	STOP lamp	STAND BY lamp	SERVO ALARM	SYSTEM ALARM	Buzzer	VTR operation
VTR malfunction	-	-	○	○	SOUND	STOP
DRUM UNLOCK *	-	-	○	-	-	CONTINUE
CAPSTAN UNLOCK	-	-	○	-	-	CONTINUE
Movable guide malfunction (tape guide)	-	-	-	○	SOUND	STOP
tape out (disengaged)	-	-	-	-	-	STOP
Tape out (disengaged) :	-	-	-	○	SOUND	CONTINUE
Tape sticking	-	◐	-	○	SOUND	STOP
No SERVO REF signal	◐	-	-	-	-	CONTINUE

- In addition to these, various error conditions are displayed on the display on Types II and III (Refer to ⑧ in 1-4-4 and 1-4-5).
- The sound volume of the buzzer can be adjusted with the following volumes on the BKH-2011 – 2013 boards.
BKH-2011 and 2012: RV1 and RV2
BKH-2013: RV3 and RV4

* If the drum is unlocked for more than 15 seconds, the STANDBY lamp flashes, the SYSTEM ALARM lamp lights and the buzzer sounds – the same condition as the tape sticking.